

Active GPS / 2xLTE / WIFI Antenna



Active GPS + 2x LTE (Main/Diversity) + WIFI Antenna

This robust antenna is a rugged, all-in-one antenna for use with Microhard cellular modems. This antenna features dual LTE connections for Main & Diversity, a high gain Active GPS antenna, as well as a integrated 2.4GHz WIFI antenna. Ideal for applications where the antenna will be permanently mounted.

LTE / 4G Dual Band

1-4 dBi Gain (LTE)

Main / Diversity

28 dB Active GPS

2.4 GHz WIFI

**All-in-One
Antenna!**



Specifications

Frequency Range	GPS: 1575 MHz LTE Main: 700 - 960 & 1700 - 2700 MHz LTE Div: 700 - 960 & 1700 - 2700 MHz WIFI: 2400 - 2500 MHz	Temperature	-40°C to +85°C
Gain	GPS: 28 dB LTE Main: 1-4 dBi LTE Div: 1-4 dBi WIFI: 3 dBi	Connectors	GPS: SMA Male LTE Main: SMA Male LTE Div: SMA Male WIFI: RPSMA Male
Output Impedance	50 Ohm	Dimensions <i>(See drawing)</i>	82mm H x 80mm OD (Base)
VSWR	< 2.5	Humidity	40% to 95% RH
		Cable	RG174 - 3' (x4)

Contact Information

Copyright 2019 Microhard Systems Inc.
Specifications subject to change without notice.

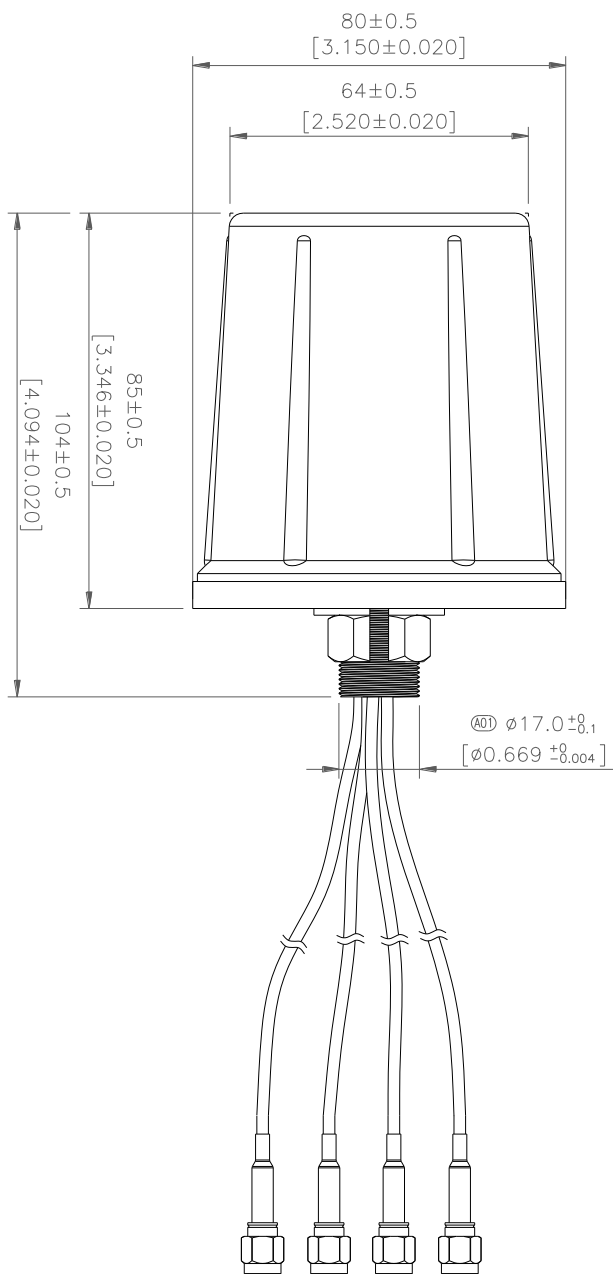
Microhard Systems Inc.
150 Country Hills Landing N.W.
Calgary, AB, Canada T3K 5P3

Email: info@microhardcorp.com
Tel: (403) 248-0028
Fax: (403) 248-2762

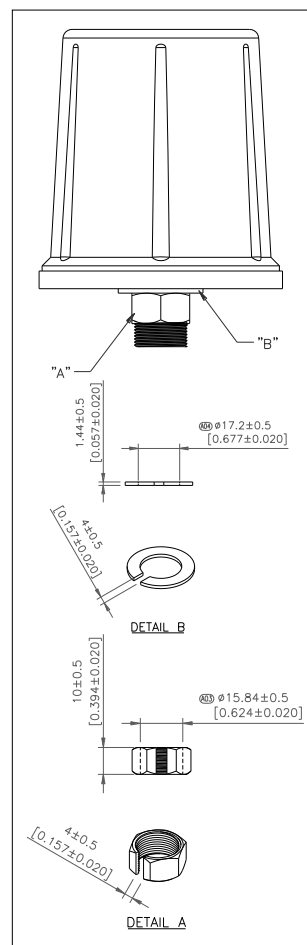


www.microhardcorp.com

Active GPS / 2xLTE / WIFI Antenna



RPSMA MALE (WIFI)
SMA MALE (LTE)
SMA MALE (LTE)
SMA MALE (GPS)



Dimensions
mm
[inches]