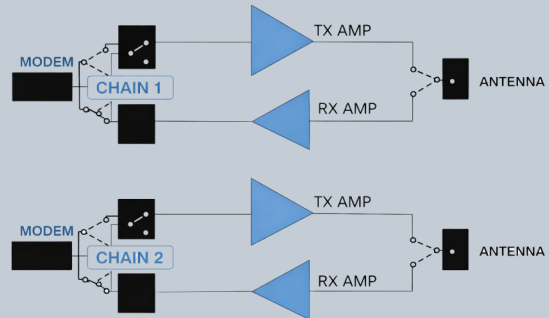


SWP - 1625 to 2400 MHz Dual Channel 20W Linear Amplifier

The AMPCore-1650 Amplifier is a compact, dual-channel linear amplifier designed for the 1625–2400 MHz range. It features an integrated socket for Microhard Digital Data Links, creating a streamlined, all-in-one solution capable of supporting communication ranges of up to 100 km. Built with a rugged, space-efficient form factor, the AMPCore-1650 also includes high-speed automatic Tx/Rx switching for reliable, responsive performance in demanding environments.

Features

- 20W Bidirectional MIMO Amplifier
- 10W Per Chain
- MIMO Benefits
- Small & Light Weight
- Internal Socket for 100 & 80 Pin Modules
- Dual Ethernet + 1 Serial Port
- Auto On/Off Fan Control
- Per Chain Tx/Rx Status LEDs



COTS - Commercial Off-The-Shelf

Specifications

Frequency Band	1625 to 2400 MHz		Impedance	50 Ω
Tx Power Gain	12 dB		DC Supply Voltage	36 VDC (32-38VDC)
Tx Output Power	<u>Modulation</u>	<u>Power</u>	Ports & Connectors	DC POWER - XT30 Male 2pin ANTx2 - 2x MMCX (Jack) Serial UART - (GHR-06V-S) Dual 10/100 Ethernet - (GHR-08V-S)
	P1dB	20W		
	QAM 16	15W		
	QPSK	20W	Weight (Inc. Modem)	Approx. 170 grams
Rx Gain	10 dB		Dimensions	Approx. 40mm x 70mm x 34mm

Dimensions

